

# Multi-Point Inspection Checklist Per Manufacturer's Recommendation

Customer Name: \_\_\_\_\_ Year/Model: \_\_\_\_\_ Date: \_\_\_\_\_

RO/Tag: \_\_\_\_\_ Mileage: \_\_\_\_\_

**OKAY AT THIS TIME**

**MAY REQUIRE FUTURE ATTENTION**

**REQUIRES PROMPT ATTENTION**

### CHECK FLUID LEVELS AND FILL

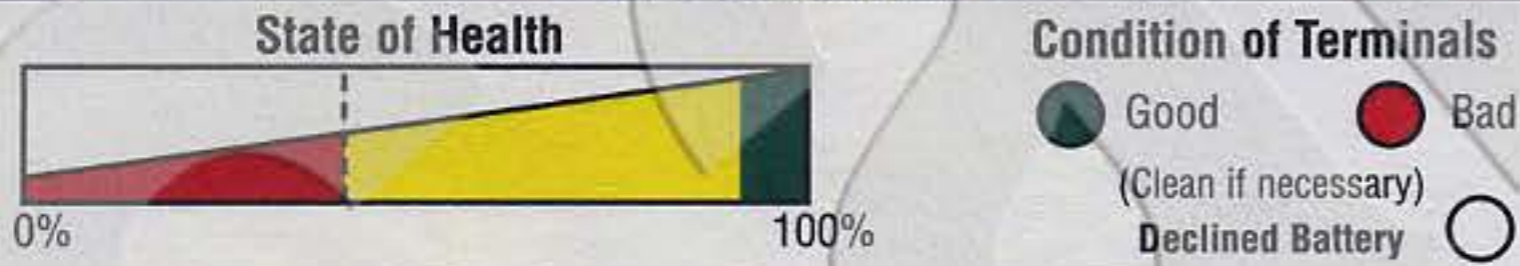
OK	FILL	OK	FILL	OK	FILL
<input type="radio"/>	<input type="radio"/>	Engine Oil	<input type="radio"/>	<input type="radio"/>	Brake Reservoir
<input type="radio"/>	<input type="radio"/>	Transmission	<input type="radio"/>	<input type="radio"/>	Window Washer
<input type="radio"/>	<input type="radio"/>		<input type="radio"/>	<input type="radio"/>	Power Steering
<input type="radio"/>	<input type="radio"/>		<input type="radio"/>	<input type="radio"/>	Coolant Recover Reservoir

### RECOMMENDED SCHEDULED MAINTENANCE SERVICES

<input type="radio"/>	Oil Change	<input type="radio"/>	Fuel Filter
<input type="radio"/>	Oil Filter	<input type="radio"/>	Cabin Air Filter
<input type="radio"/>	Engine Air Filter	<input type="radio"/>	Spark Plugs
<input type="radio"/>	Engine Coolant	<input type="radio"/>	Tire Rotation
<input type="radio"/>	Transmission Fluid	<input type="radio"/>	Seat Filter
<input type="radio"/>	Transmission Filter	<input type="radio"/>	Accessory Drive Belt(s)

Comments: \_\_\_\_\_

### CHECK BATTERY

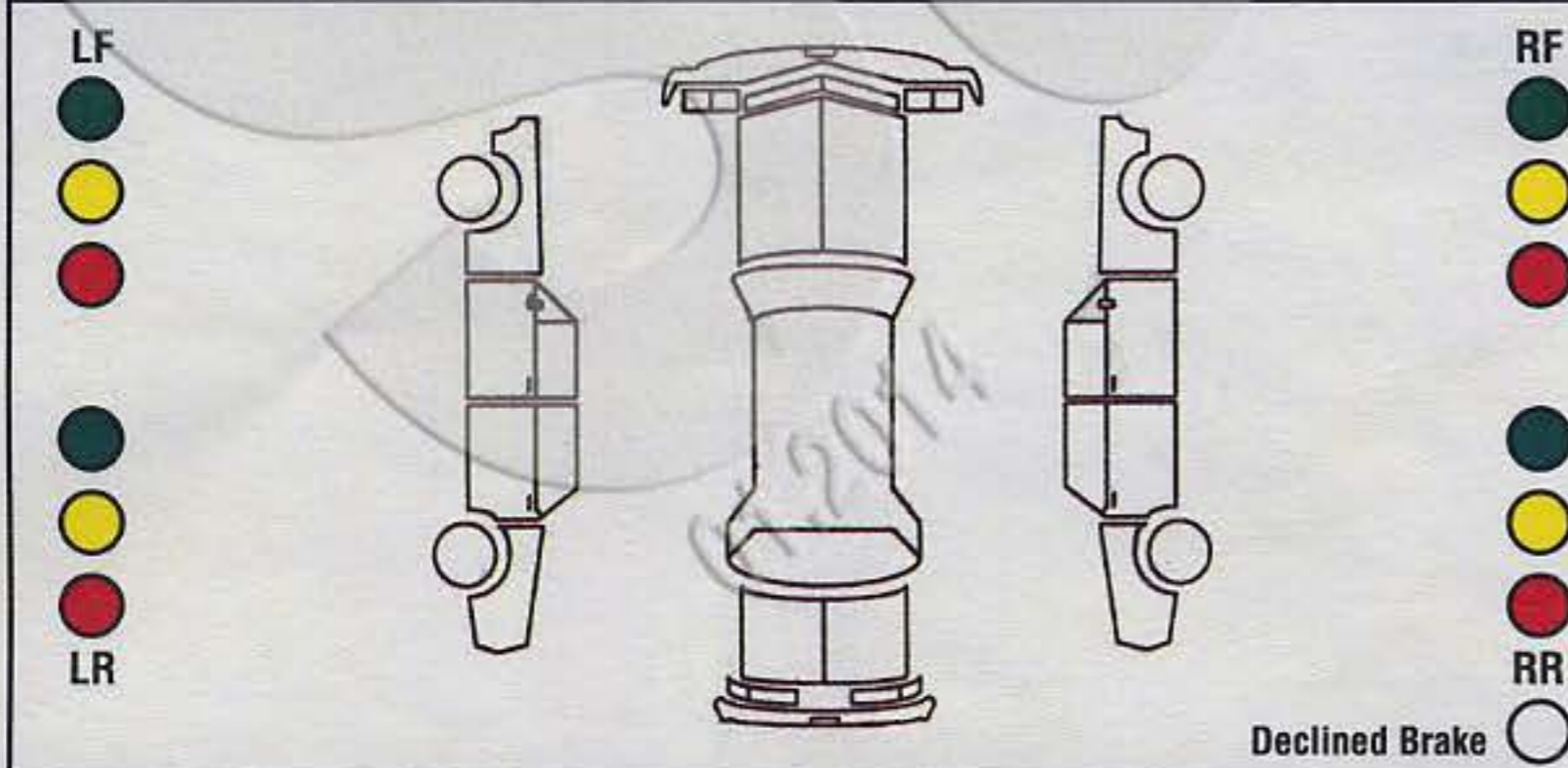


### CHECK FOLLOWING SYSTEMS/COMPONENTS

		Declined
<input type="radio"/>	Operation of horn, interior lights, exterior lamps, turn signals, hazard and brake lamps	<input type="checkbox"/>
<input type="radio"/>	Radiator, heater, and air-conditioning hoses for leaks and damage	<input type="checkbox"/>
<input type="radio"/>	Windshield for cracks, chips and pitting	<input type="checkbox"/>
<input type="radio"/>	Windshield washer spray, wiper operation and wiper blades	<input type="checkbox"/>
<input type="radio"/>	Accessory drive belt(s)	<input type="checkbox"/>
<input type="radio"/>	Brake system (including lines, hoses, and parking brake) and wheel end for end-play and bearing noise	<input type="checkbox"/>
<input type="radio"/>	Clutch operation (if equipped)	<input type="checkbox"/>
<input type="radio"/>	Constant velocity (CV) drive axle boots (if equipped)	<input type="checkbox"/>
<input type="radio"/>	Drive shaft, transmission, u-joint and shift linkage (if equipped) and lubricate (as needed)	<input type="checkbox"/>
<input type="radio"/>	Engine Cooling system, hoses and clamps	<input type="checkbox"/>
<input type="radio"/>	Exhaust system (leaks, damage, loose parts)	<input type="checkbox"/>
<input type="radio"/>	Oil and/or fluid leaks	<input type="checkbox"/>
<input type="radio"/>	Shocks/struts and other suspension components for leaks and/or damage	<input type="checkbox"/>
<input type="radio"/>	Steering and steering linkages	<input type="checkbox"/>
<b>STATE INSPECTION DUE (IF APPLICABLE)</b>		
	____ / ____ / ____	
	MONTH / DAY / YEAR	

Comments: \_\_\_\_\_

### CHECK BRAKES - MEASURE FRONT/REAR BRAKE LININGS



Over 5mm or 7/32" (Disc) or Over 2mm or 3/32" (Drum)

3 to 5mm or 4/32" to 7/32" (Disc) or 1.01 to 2mm (Drum) or 2/32" to 3/32"

Less than 3mm or 4/32" (Disc) or 1mm or 2/32" or Less (Drum)

BRAKE MEASUREMENTS NOT TAKEN THIS SERVICE VISIT

Comments: \_\_\_\_\_

Service Advisor: \_\_\_\_\_

Technician: \_\_\_\_\_

### CHECK TIRES

LF	TREAD DEPTH	RF
<input type="radio"/>	7/32" or Greater	7/32" or Greater <input type="radio"/>
<input type="radio"/>	4/32" to 6/32"	4/32" to 6/32" <input type="radio"/>
<input type="radio"/>	3/32" or less	3/32" or less <input type="radio"/>
<input type="radio"/>	7/32" or Greater	7/32" or Greater <input type="radio"/>
<input type="radio"/>	4/32" to 6/32"	4/32" to 6/32" <input type="radio"/>
<input type="radio"/>	3/32" or less	3/32" or less <input type="radio"/>
LR		RR
		Declined Tire <input type="checkbox"/>

### WEAR PATTERN/DAMAGE

#### TIRE WEAR INDICATES:

Alignment Check Needed  Wheel Balance Needed

Comments: \_\_\_\_\_

#### TIRE PRESSURE SET TO FACTORY RECOMMENDED PSI

Front  Rear

Customer Signature: \_\_\_\_\_