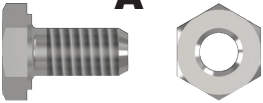
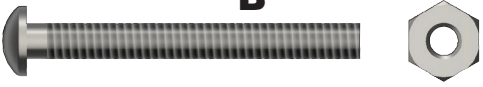


# Welding Cart Assembly Instructions

**46 X** **A**  
  
 1/4"-20 x .5" Bolt and Lock-nut

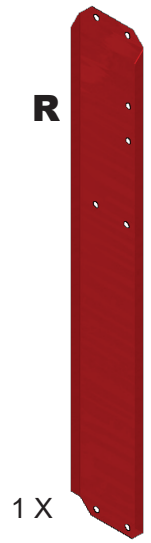
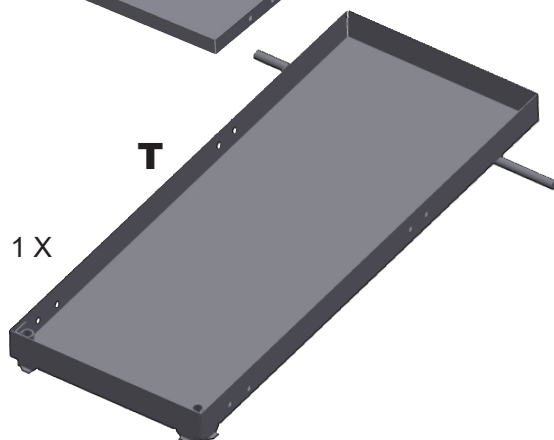
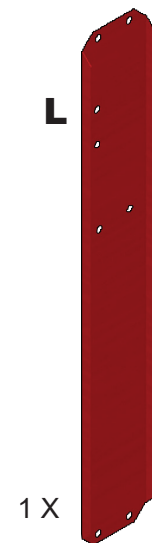
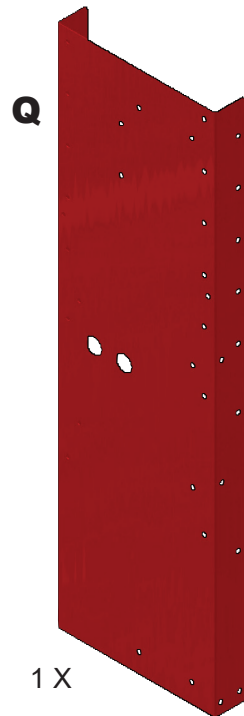
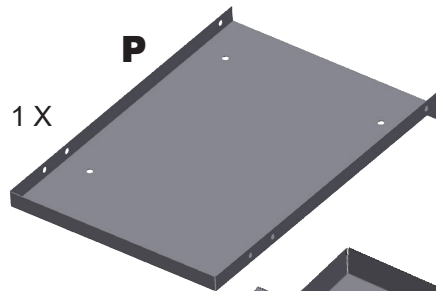
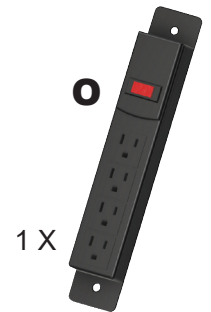
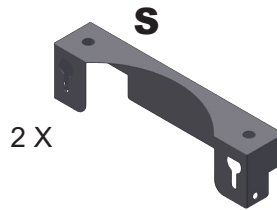
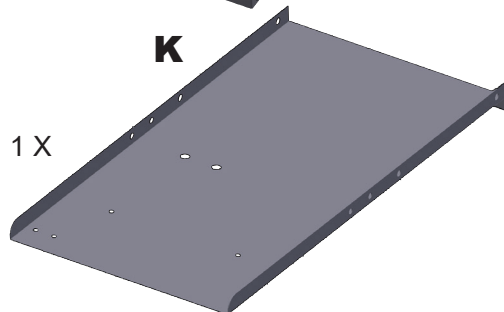
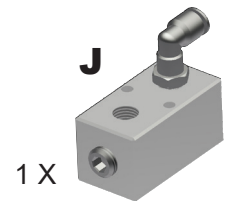
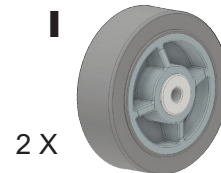
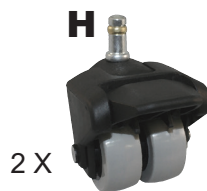
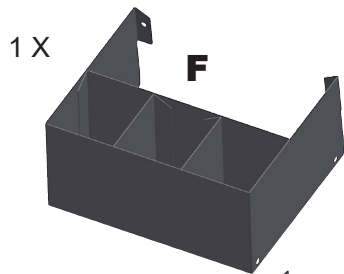
**2 X** **B**  
  
 10-24 x 1.75" Machine Screw and Lock-nut

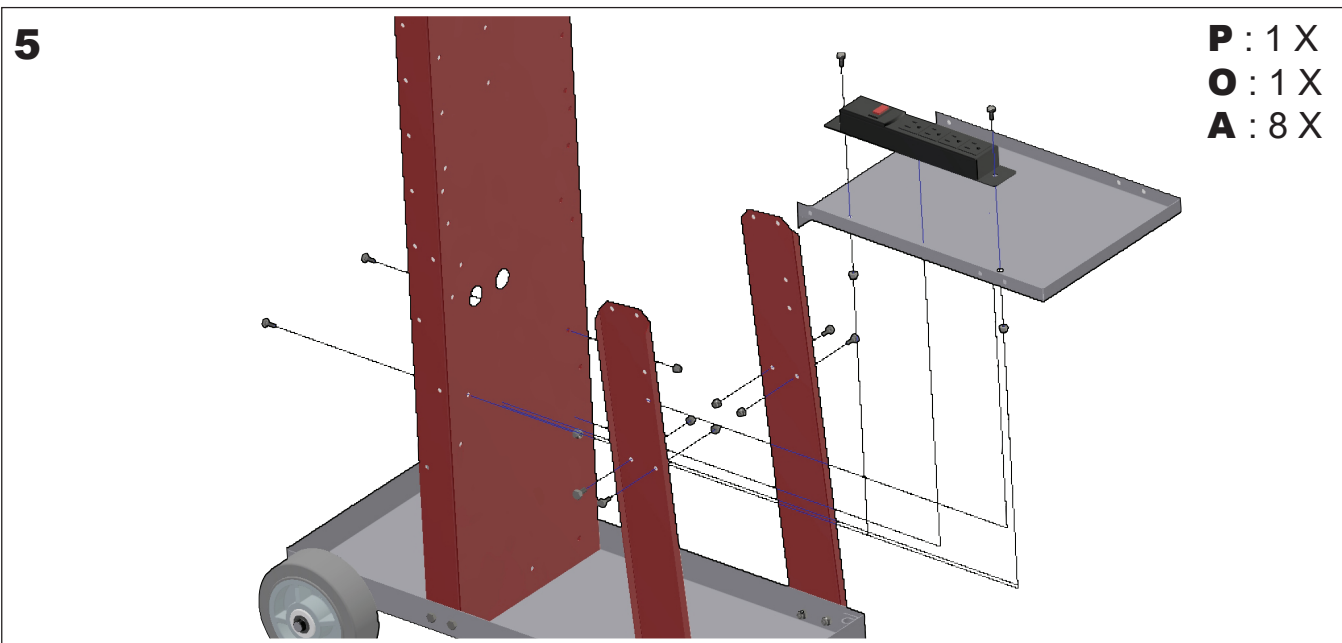
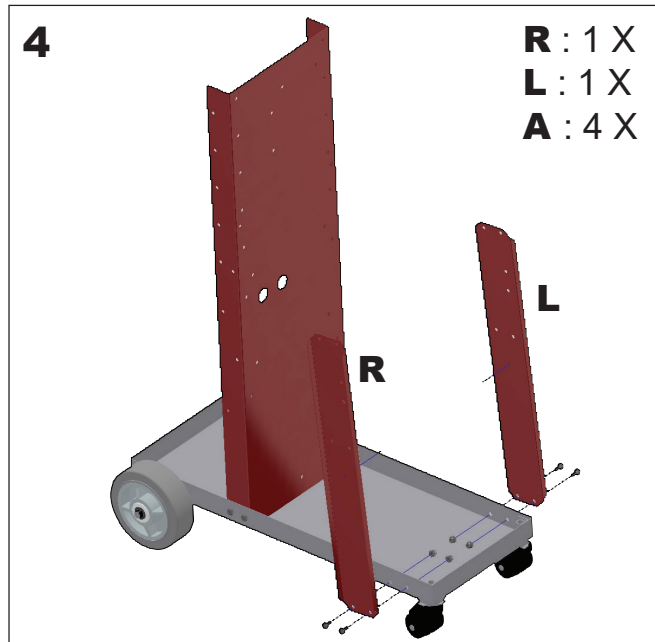
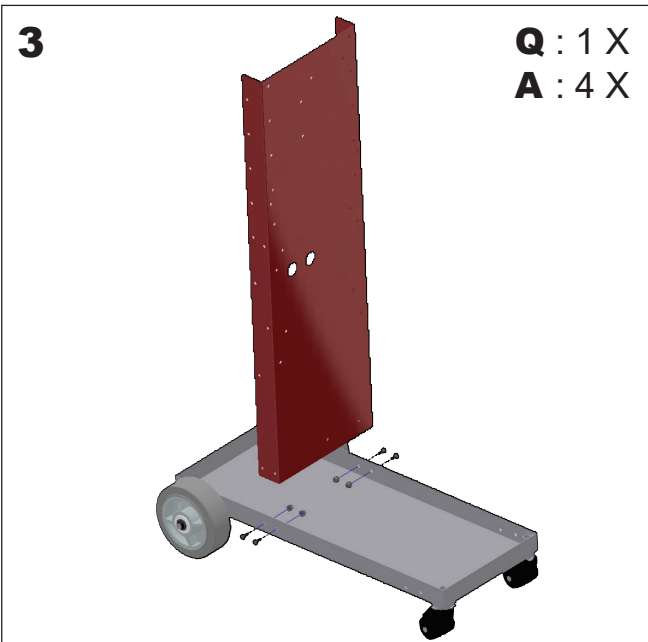
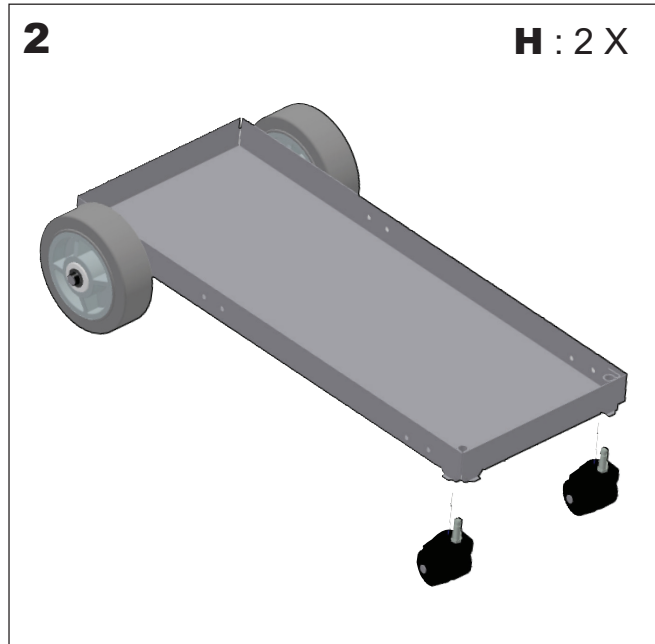
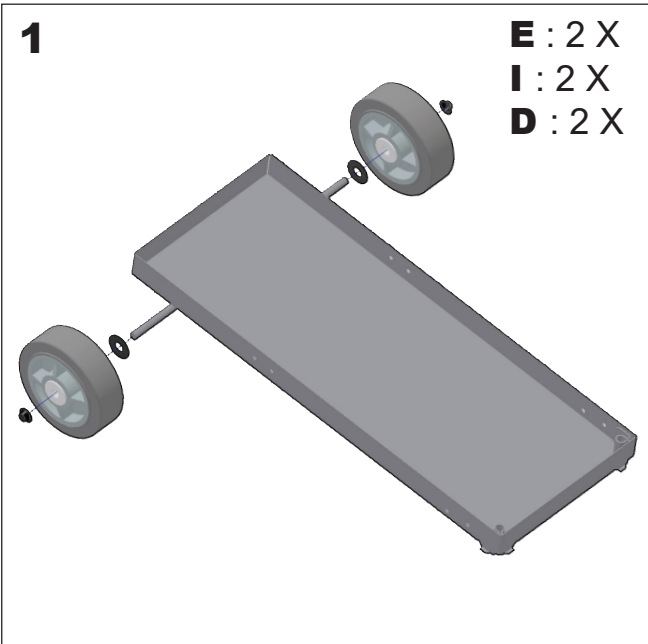
**2 X** **C**  
  
 #10 x 1.25" Hex Head Sheet Metal Screw

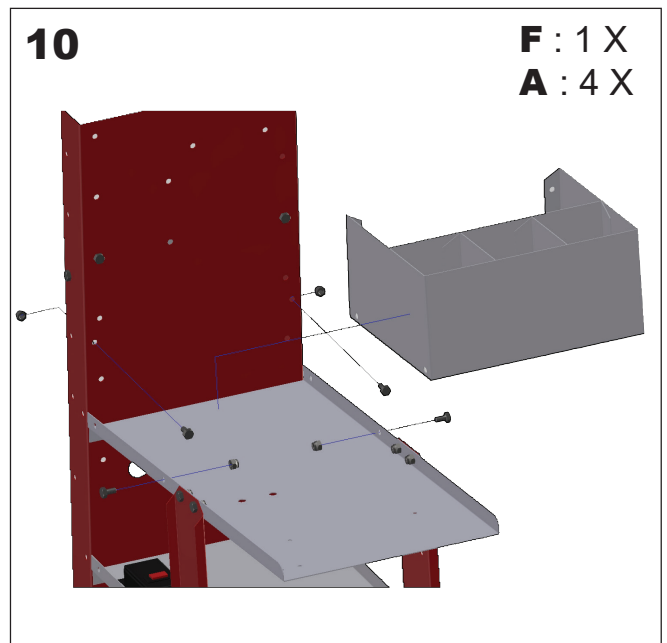
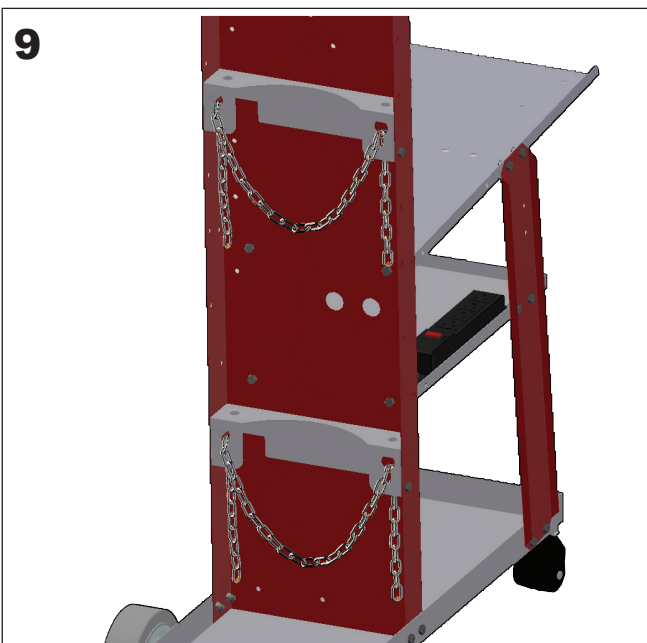
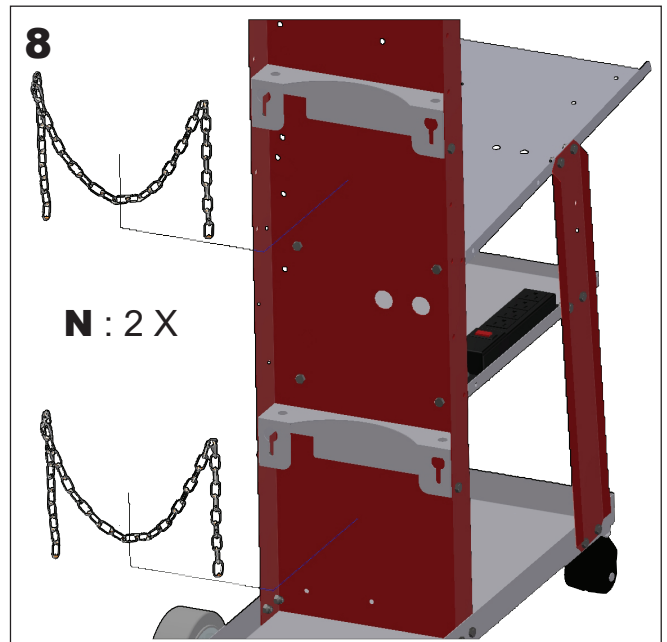
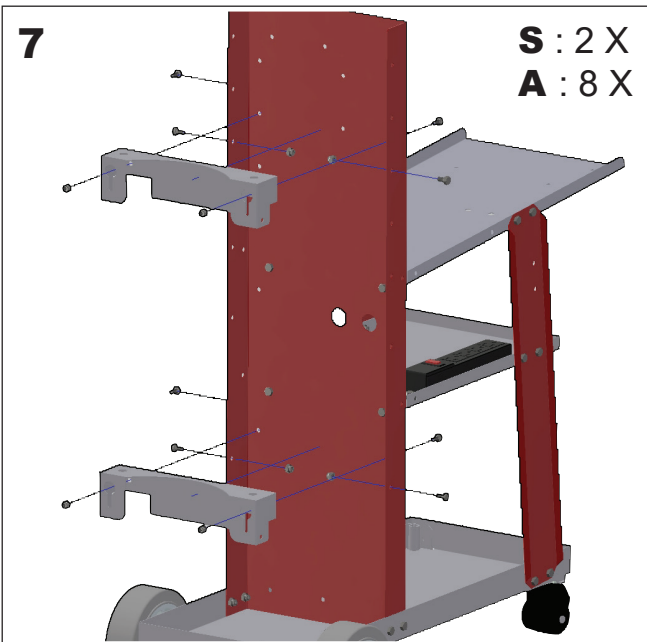
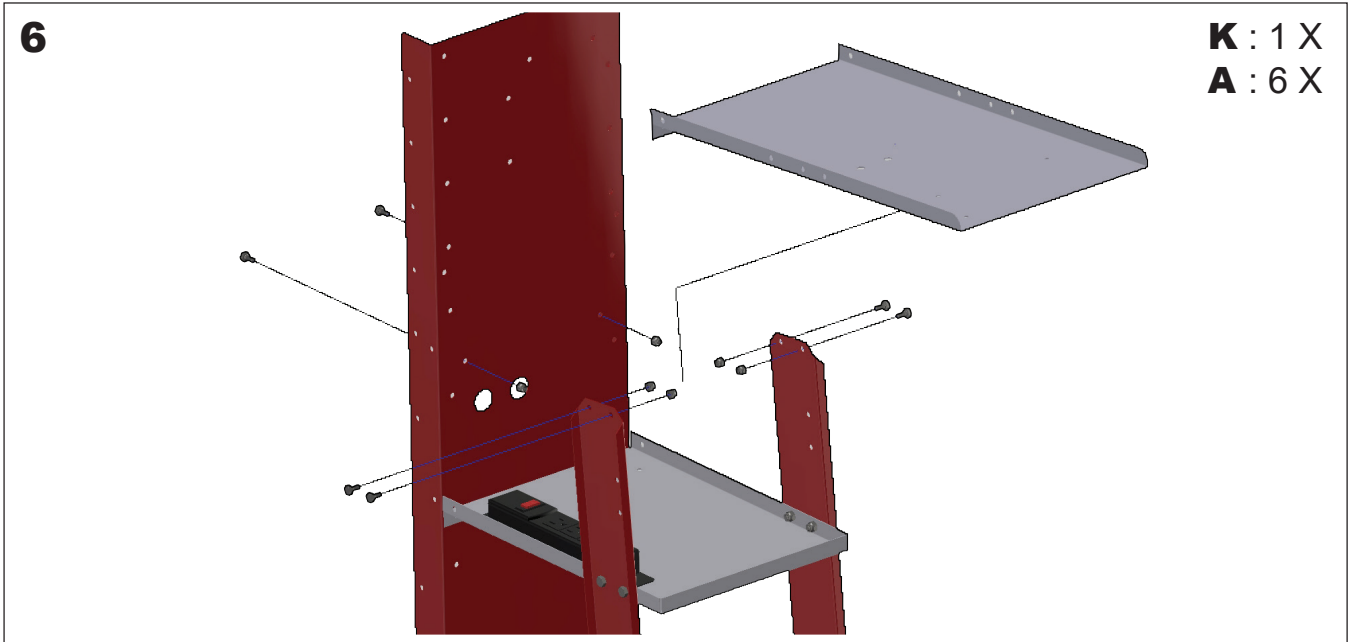
**2 X** **D**  
  
 1-1/2" x .5" Fender Washer

**2 X** **E**  
  
 1" x .5" Cap Nut

NOTE: Hardware shown actual size



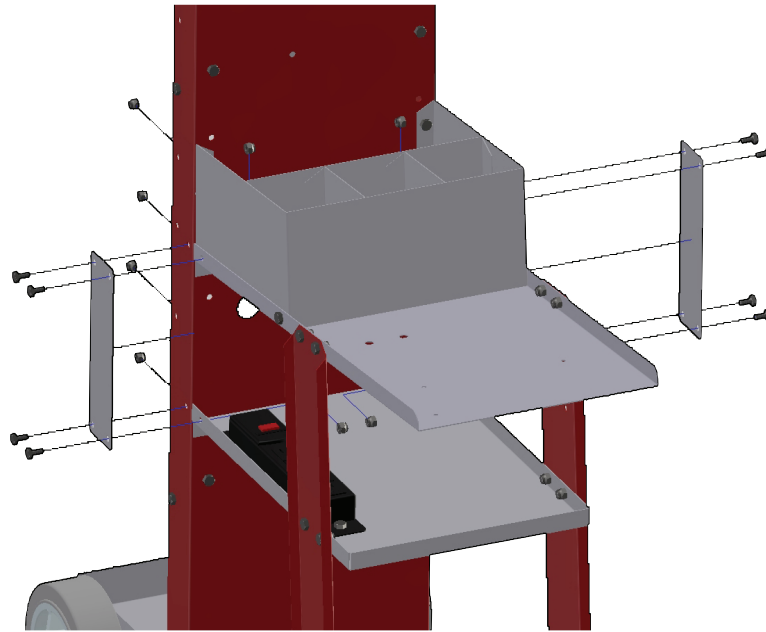




**11**

**M : 2 X**

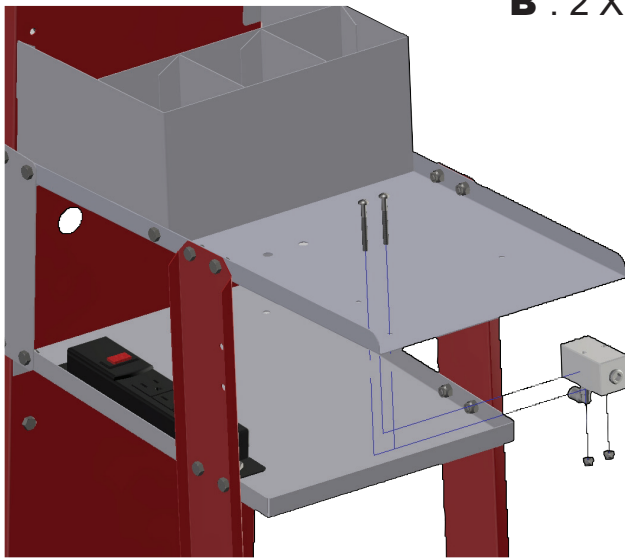
**A : 8 X**



**12**

**J : 1 X**

**B : 2 X**

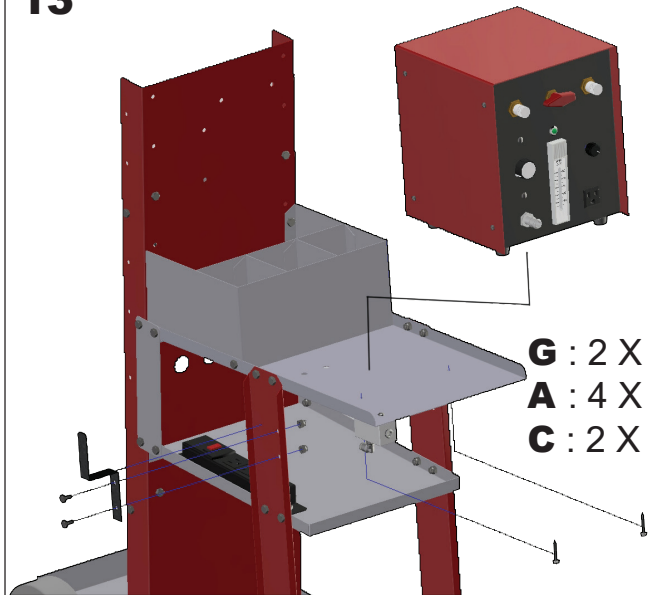


**13**

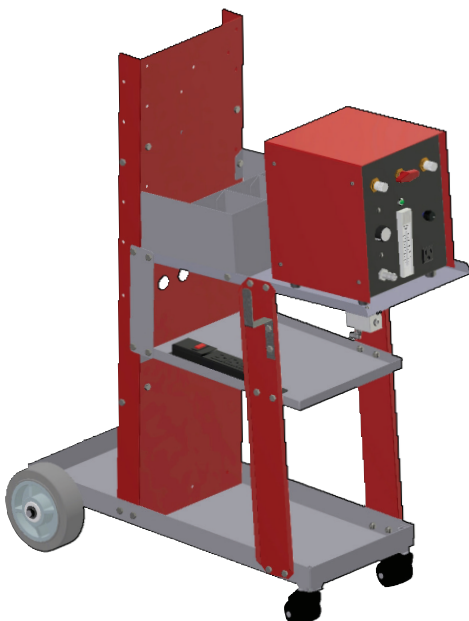
**G : 2 X**

**A : 4 X**

**C : 2 X**



**14**



Note: Welder shown without hose and wiring assemblies or welding rod for clarity.

For set-up and use instructions see the welder Quick Start Guide.

**Polyvance**  
 ADVANCING POLYMER REPAIR

Customer Support:  
 Toll Free: 800-633-3047  
 Phone: 256-638-4103  
 www.polyvance.com