



BACK-UP ALARMS

Beacons | Lightbars | Minibars | Directional LEDs | Worklamps | Camera Systems

600 SERIES

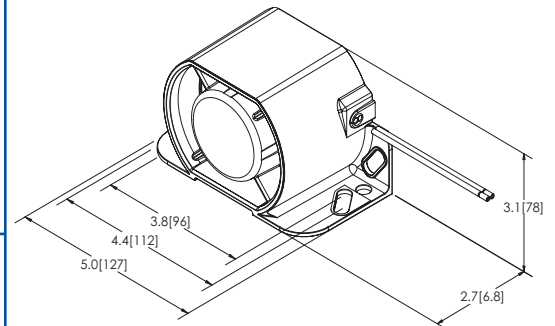
Designed to meet all the harsh operational requirements of any fleets equipment, ECCO 600 Series alarms feature a reverse-mounted speaker design and reinforced nylon housing providing unrivaled durability. These alarms are so robust that an ECCOLIFE™ warranty covering the alarm for the life of the vehicle is offered on all models. Smart Alarm® models measure ambient noise and adjust their sound level, creating a volume that is safe without being annoying or contributing to noise pollution. Smart Alarms eliminate the need for constant manual adjustment and help prevent intentional alarm disconnection.

Models

PART NO.		VOLTAGE	dB(A)	AMPS	APPROVALS
SA901N		12-24	82-107	0.3	R10, UL
SA931N		12-48	82-102	0.2	R10, UL
SA980N		36-80	82-102	0.2	R10, UL
630N		12-36	107	1.7	SAE Type B, CE, e, UL, AMECA
610N		12-36	97	0.5	SAe Type C, CE, e, UL, AMECA

Features and Benefits

- Reverse-mounted speaker enhances sound and protects the speaker from dust and moisture ingress
- Reinforced nylon housing eliminates corrosion damage
- Sealed in epoxy for protection against dust, moisture, and vibration
- Steam cleanable and pressure washable
- Works on positive or negative ground systems
- Temperature Range: -40°F to +185°F (-40°C to +85°C)
- ECCOLIFE™ Warranty



Alarm Specifications

Connection: 16 AWG blunt cut wires
 Reinforced nylon housing
 Recommended mounting bolt: 5/16-18 UNC Grade 5
 Recommended washer: 5/16" Type A, Series N or W
 Recommended mounting torque: 156 in. lbs.

**Need to find an alarm?
 There's an app for that.**

Scan the QR Code to learn how or search ECCO Mobile in your app store.

