

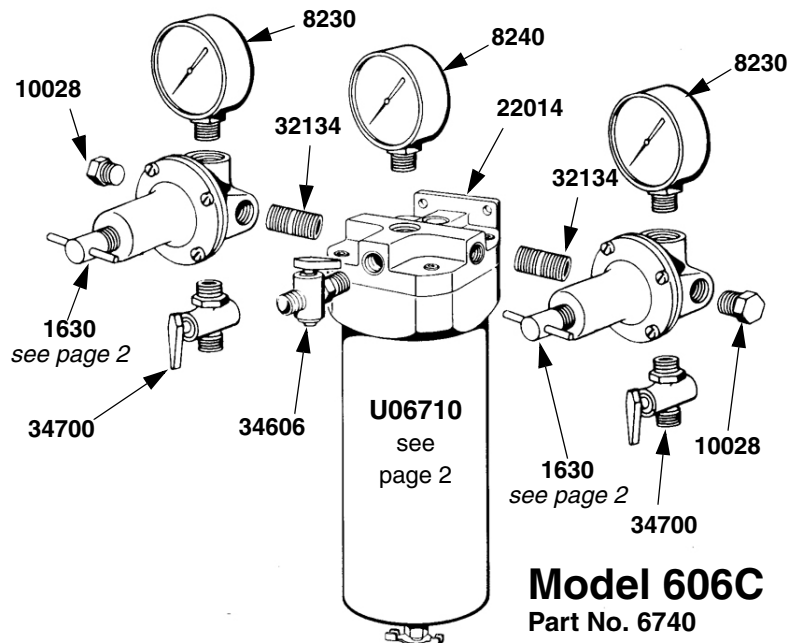
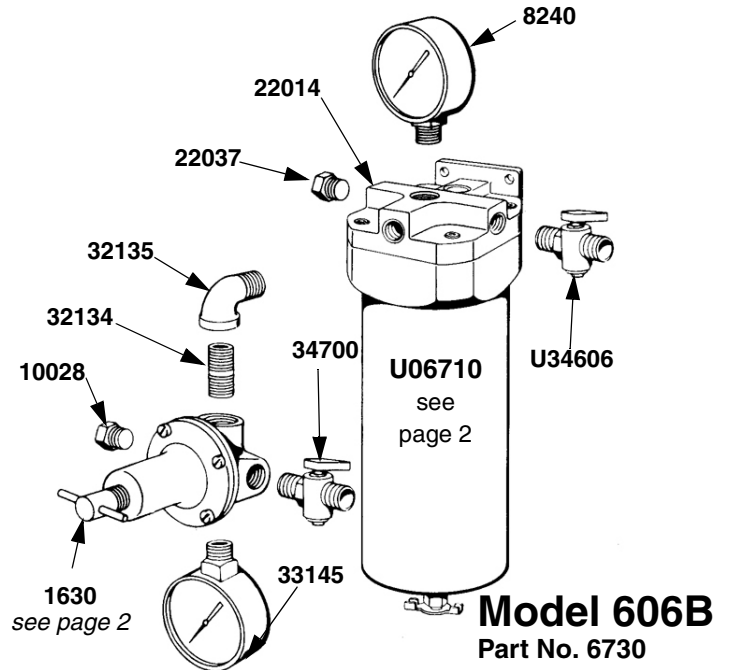
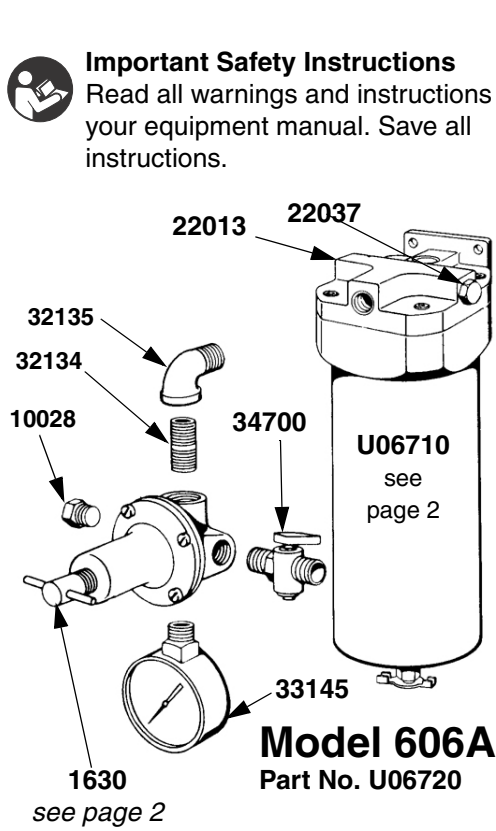
Air Control Units

310601F
ENG

Maximum Working Pressure: 160 psi (1.1 MPa, 11 bar)



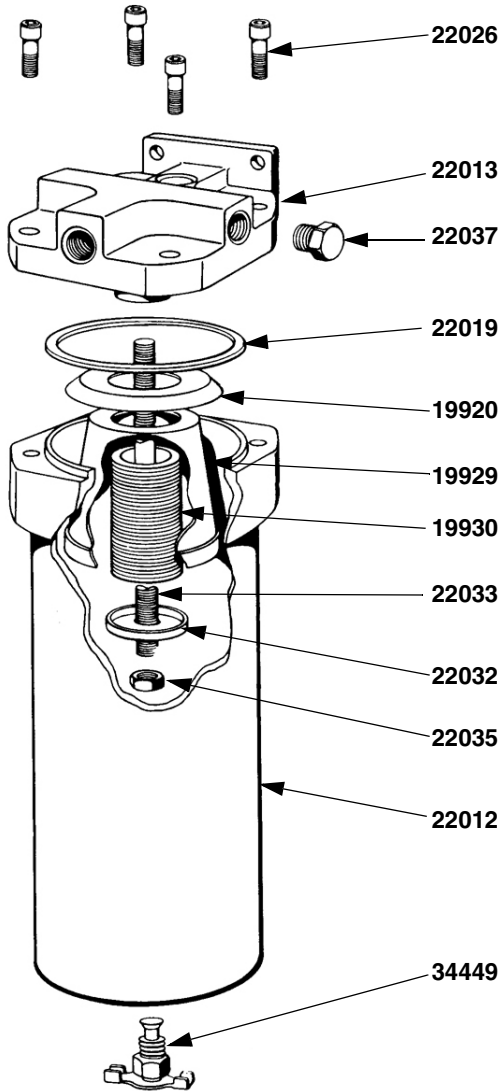
Important Safety Instructions
Read all warnings and instructions in your equipment manual. Save all instructions.



Model 606 AIR FILTER

Part No. 6710

Maximum Working Pressure:
160 psi (1.1 MPa, 11 bar)

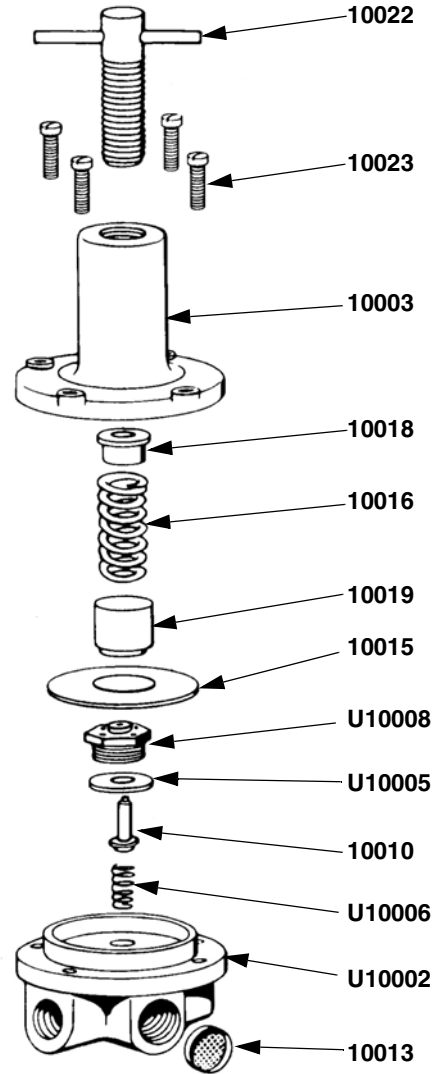


PART NO.	DESCRIPTION
22026	Screw
22013	Bottle Lid
22037	Plug
22019	Gasket
19920	Washer
19929	Shield
19930	Filter Element
22033	Rod Assembly
22032	Retainer
22035	Nut
22012	Mach Filter Bottle
34449	Air Cock Regulator Valve

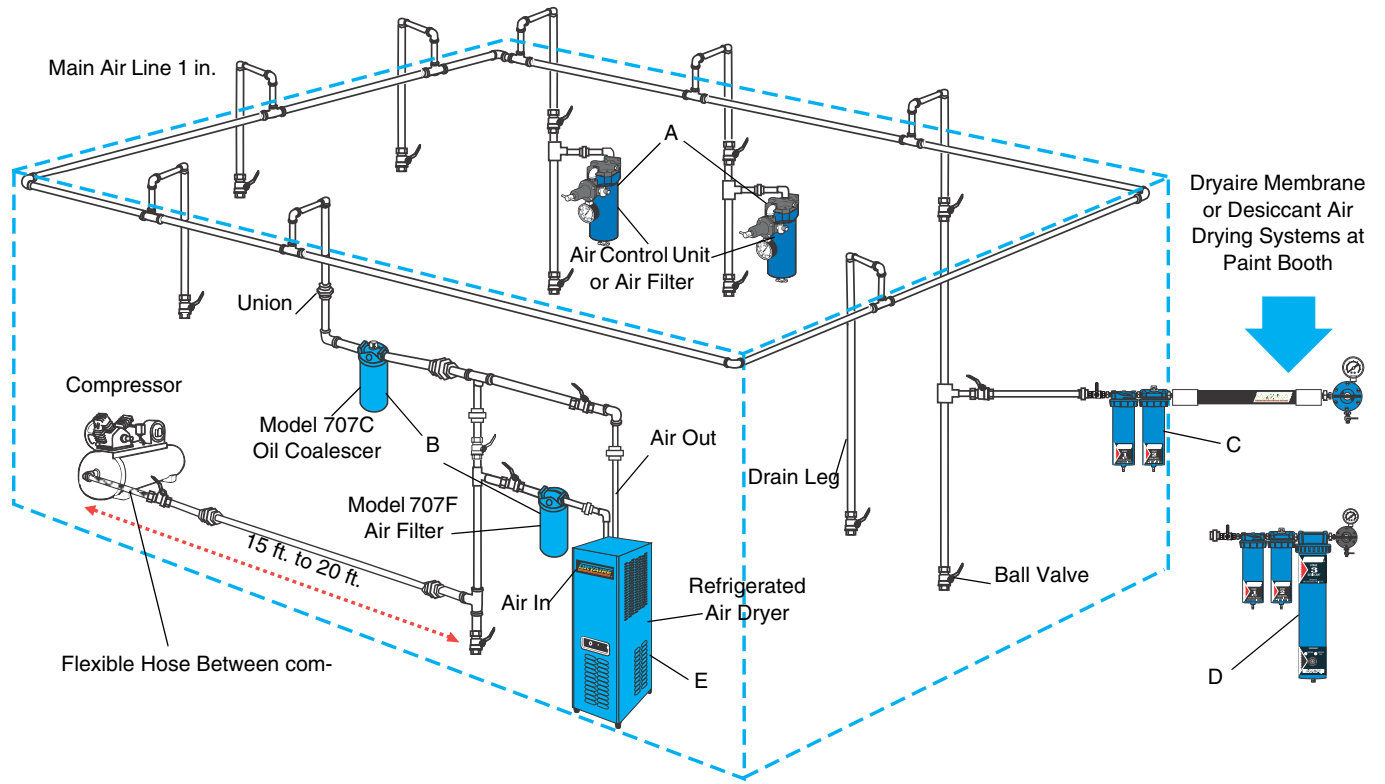
AIR REGULATOR

Part No. 1630

Maximum Working Pressure:
160 psi (1.1 MPa, 11 bar)



PART NO.	DESCRIPTION
10022	Adjusting Screw
10023	Screw
10003	Bonnet
10018	Washer Spring
10016	Pressure Spring
10019	Vibration Dampener
10015	Diaphragm
10008	Valve Body
10005	Valve Seat
10010	Valve
10006	Valve Spring
10002	Body
10013	Brass Screen



Ref. Letter	Description	Model No.
A	Sharpe 606	U06710
	Sharpe 606A	U06720
	Sharpe 606B	6730
	Sharpe 880A	6950
	Sharpe F88	8130
B	707C	6930
	707F	6920
	707FC	6910
C	Dryaire Membrane	6770
D	Dryaire Desiccant	6760
E	Refrigerated Air Dryer	
	25CFM	6880
	35CFM	6885
	50CFM	6890
	75CFM	6895

1 Year Limited Warranty

Sharpe warrants this product to the original user against defective material or workmanship for a period of 1 year from the date of purchase.

Sharpe reserves the right to determine whether the part or parts failed because of defective material, workmanship, or other causes. Failures caused by accident, alteration, or misuse are not covered by this warranty.

Sharpe, at its discretion, will repair or replace products covered under this warranty free of charge. Repairs or replacements of products covered under this warranty are warranted for the remainder of the original warranty period.

Sharpe or its authorized service representatives must perform all warranty repairs. Any repair to the product by unauthorized service representatives voids this warranty. The rights under this warranty are limited to the original user and may not be transferred to subsequent owners.

This warranty is in lieu of all other warranties, expressed or implied, including warranties of merchantability and fitness for a particular purpose. Some states do not allow the exclusion or limitations of incidental or consequential damages, so the above limitations may not apply to you.

Sharpe Information

TO PLACE AN ORDER, contact your SHARPE distributor or call 1-800-742-7731 or visit our website at www.sharpe1.com.

Product Registration

Thank you for the purchase of your Sharpe® product. We greatly appreciate your business.

Important reasons to register your product:

- Registration enables Sharpe to notify you if there is a problem with your product.
- Improved Product Development - Your input helps us continue to design products that meet your needs.

For the most up-to-date information and to register your product, please go to www.sharpe1.com and click on "Register Product."

All written and visual data contained in this document reflects the latest product information available at the time of publication. Graco reserves the right to make changes at any time without notice.

Original instructions. This manual contains English. MM 310601

SHARPE MANUFACTURING • P.O. BOX 1441, MINNEAPOLIS, MN 55440-1441
1-800-742-7731, www.sharpe1.com

Copyright 2004, Graco Inc. is registered to ISO 9001
Revised 02/2011